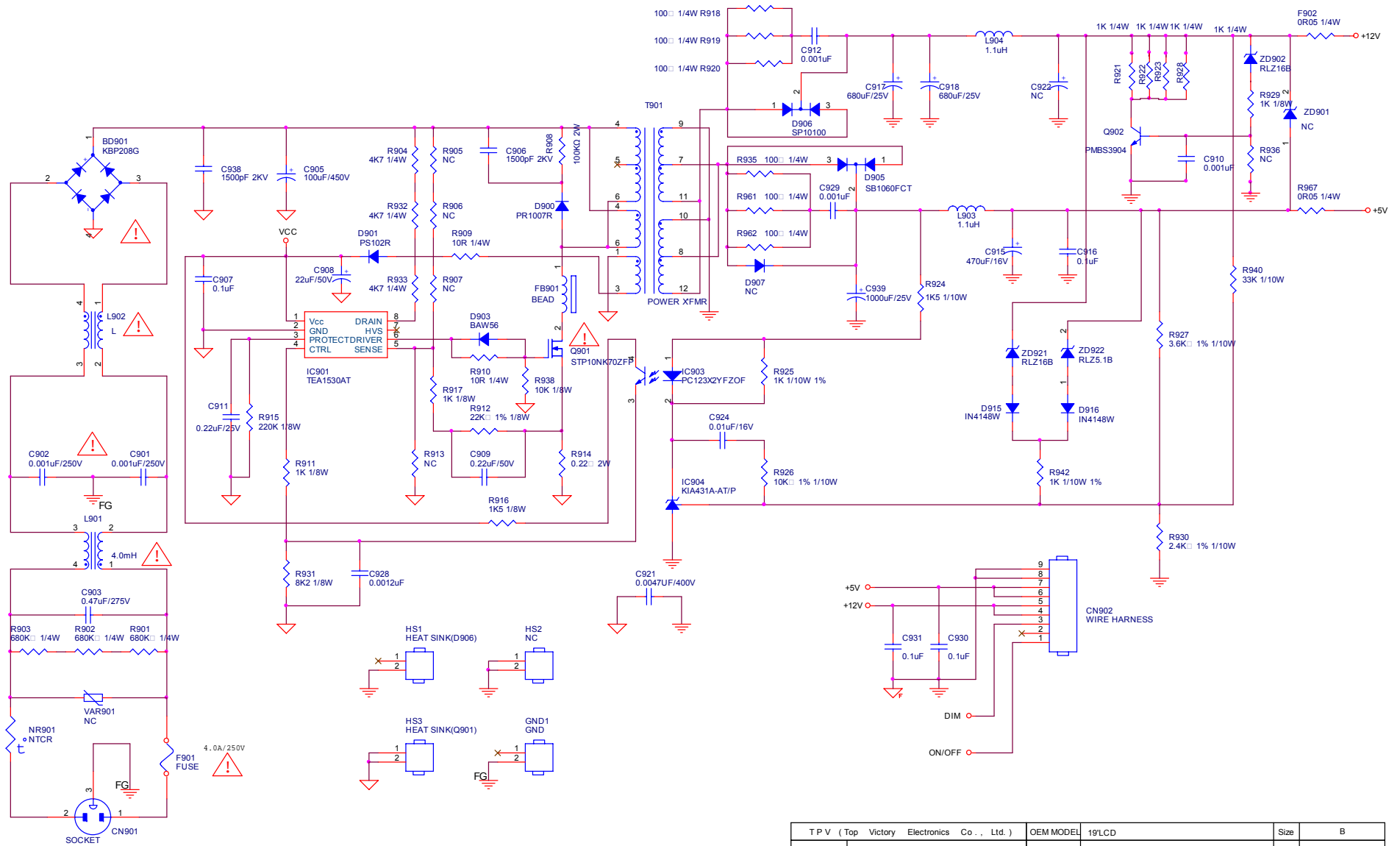
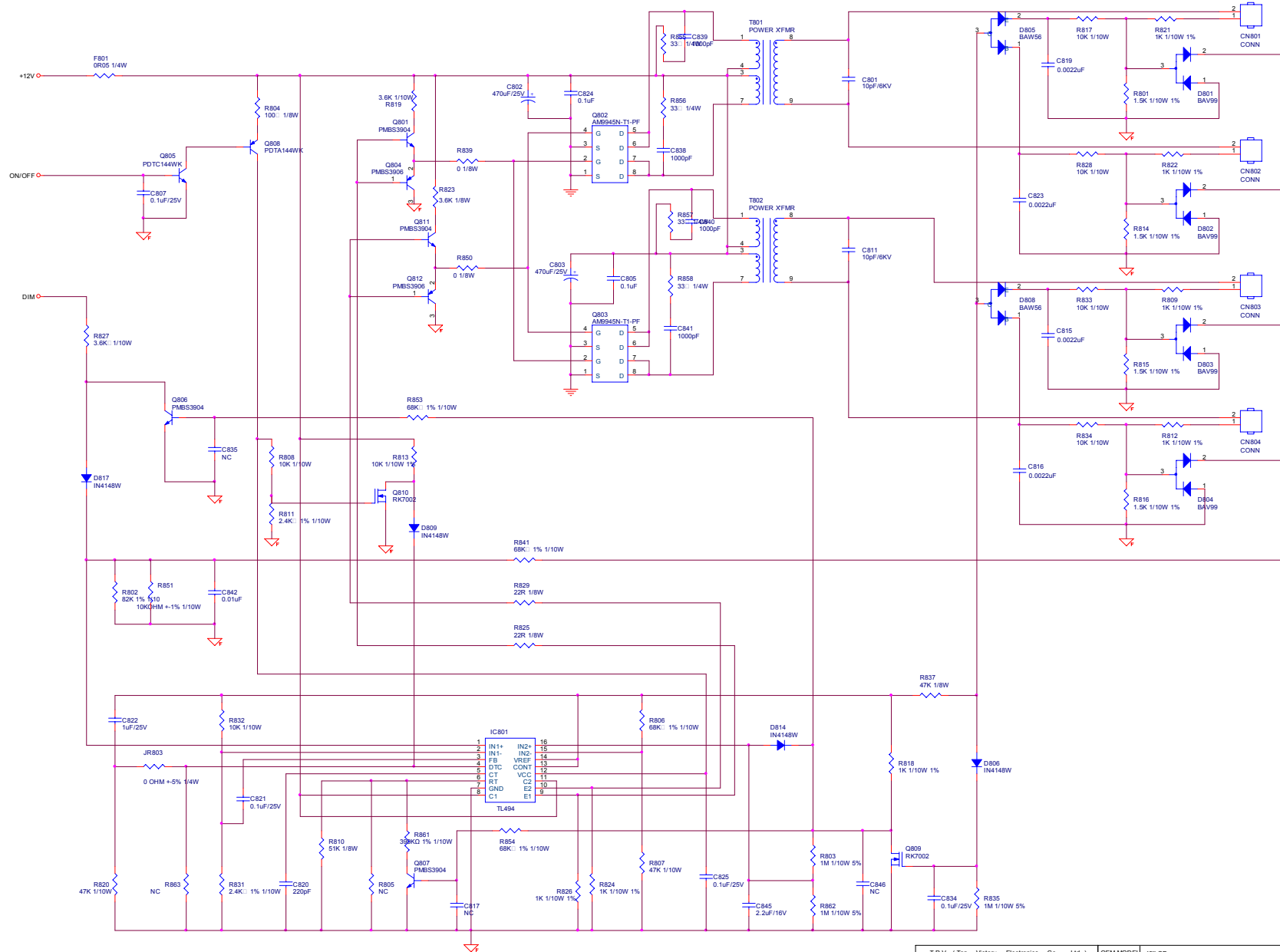


6.2 Power Board

715G2538-3



TPV (Top Victory Electronics Co., Ltd.)	OEM MODEL	19"LCD	Size	B
G2538-3-XX-12-070927	TPV MODEL	PWPC942MU2	Rev	C
Key Component	02.POWER	PCB NAME	715G2538_3	<>
Date	Thursday, September 27, 2007	Sheet	2 of 3	



T P V	(Top Victory Electronics Co., Ltd)	OEM MODEL	19LCD	Size	Custom
		G2538-3-XX-12-070927	TPV MODEL	PWPC942MJ2	Rev 1
Key Component	03.INVERTER	PCB NAME	715G2538_3		
Date	Thursday, September 27, 2007	Sheet	3 of 3		< >